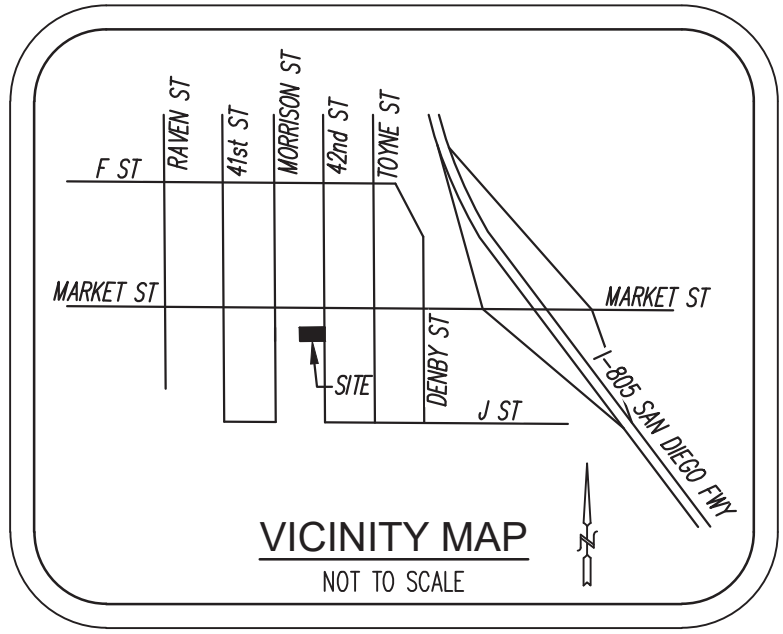
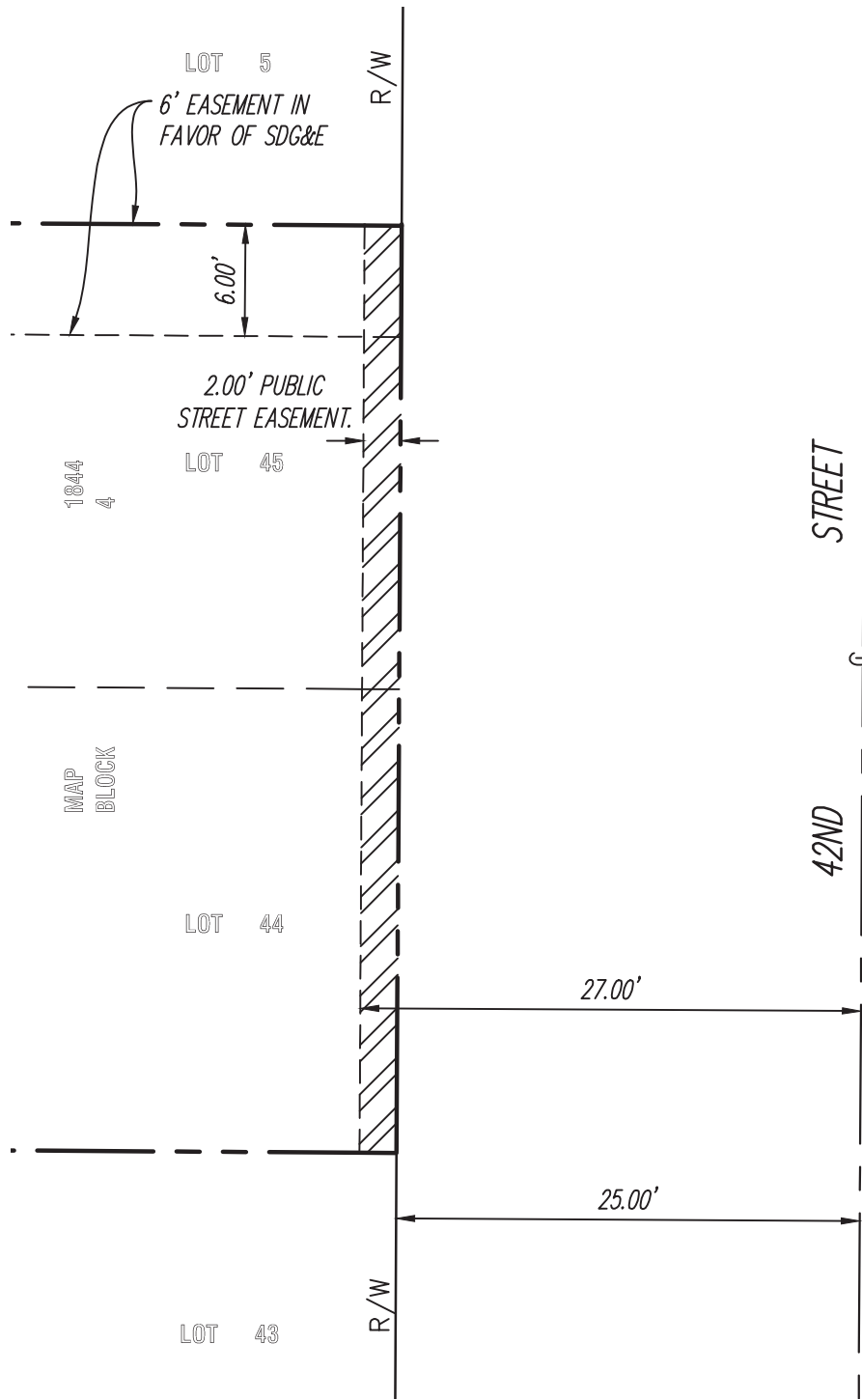


# EXHIBIT "B"



**LEGEND**

|                    |       |
|--------------------|-------|
| PROPERTY LINE      | ----- |
| RIGHT OF WAY (R/W) | ===== |
| EASEMENT LINE      | ----- |
| LOT LINE           | ----- |
| CENTER LINE (CL)   | ----- |

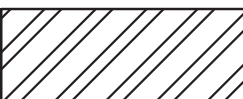
**EASEMENTS**

AN EASEMENT FOR UTILITIES PURPOSE GRANTED TO SDG&E PER DOCUMENT RECORDED DECEMBER 3, 1925 IN BOOK 1161, PAGE 17 OF DEEDS

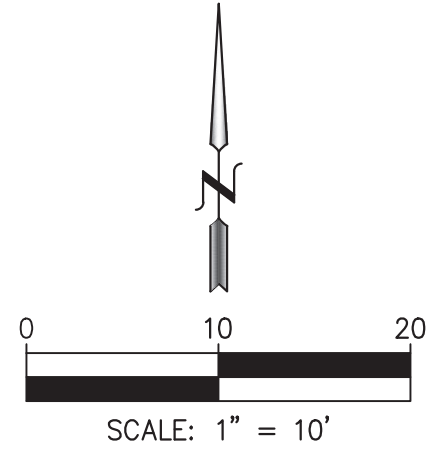
**REFERENCES**

- MAP 1844
- EASEMENT DEED DOC. BK. 1161, PG. 17, O.R.
- APN 546-092-06
- APN 546-092-26
- DRAWING 100908-D

**PARCEL A**



PUBLIC STREET EASEMENT, ACQUIRED  
AREA = 100 SQ. FT.




171 SAXONY RD, STE. 213, ENCINITAS, CA 92024  
TEL: (760) 436-0660 FAX: (760) 436-0659



DOCUMENT No. 2023-0269159

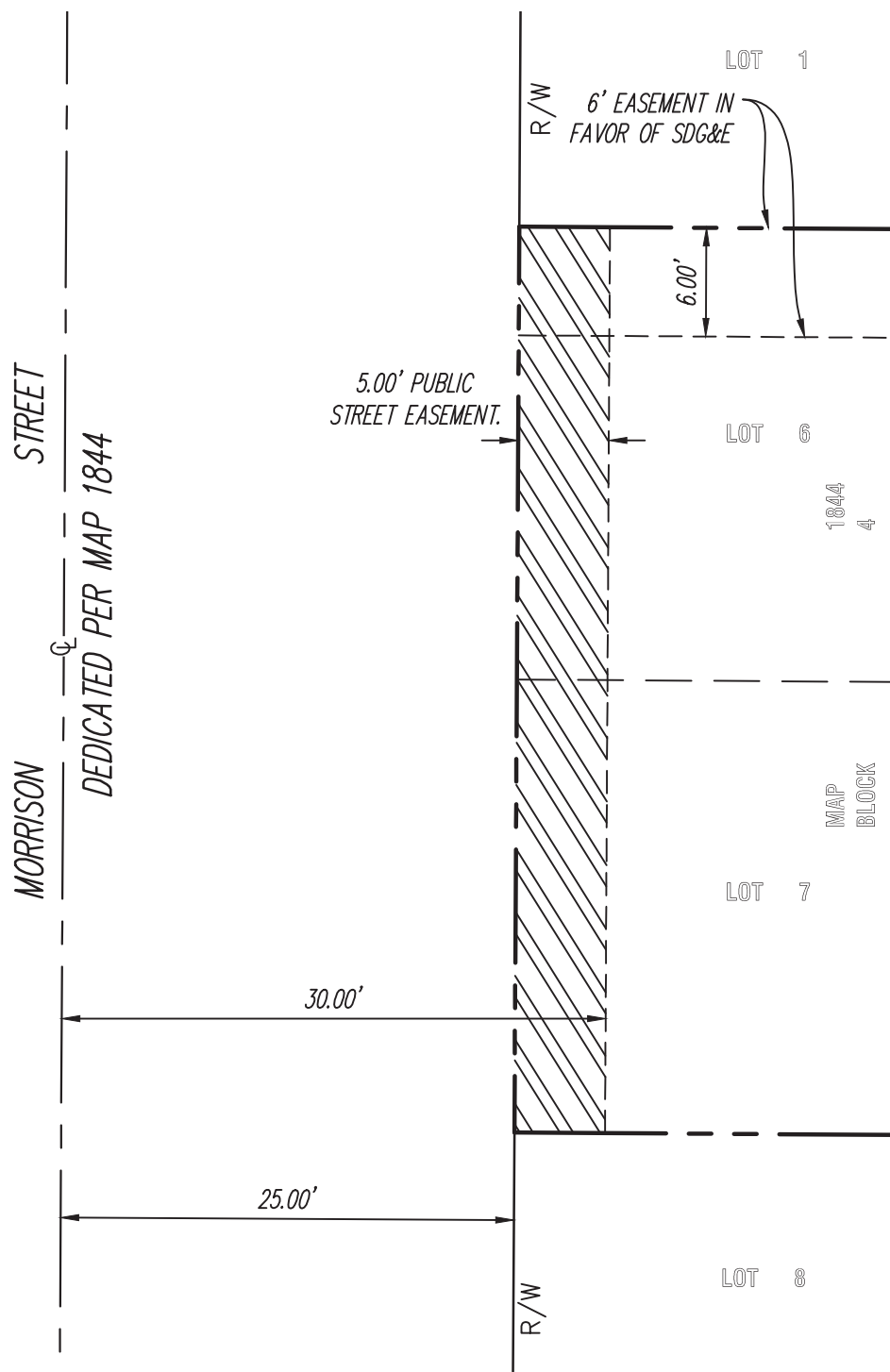
RECORDED OCTOBER 4, 2023

*Jose D. Dennis*  
JOSE D. DENNIS P.L.S.8865      9-19-23      DATE

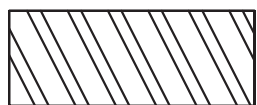
**PUBLIC STREET EASEMENT**  
OVER PORTION OF LOTS 6 & 7 AND LOTS 44 & 45 IN BLOCK 4,  
MORRISON'S MARSCENE PARK, MAP 1844.

| DESCRIPTION | BY  | APPROVED | DATE | FILMED | CITY OF SAN DIEGO, CALIFORNIA                                 |  |
|-------------|-----|----------|------|--------|---|--|
| ORIGINAL    | XXX |          |      |        | PRJ 1093361   |  |
|             |     |          |      |        | SHEET 1 OF 2 SHEETS   |  |
|             |     |          |      |        | I.O. N/A  |  |
|             |     |          |      |        | 1838-6297   |  |
|             |     |          |      |        | FOR CITY LAND SURVEYOR      10/4/2023      CCS 83 COORDINATES |  |
|             |     |          |      |        | DATE  |  |
|             |     |          |      |        | 198-1737  |  |
|             |     |          |      |        | NAD 27 COORDINATES  |  |
| STATUS      |     |          |      |        | 100902-1-B  |  |
|             |     |          |      |        | B001  |  |

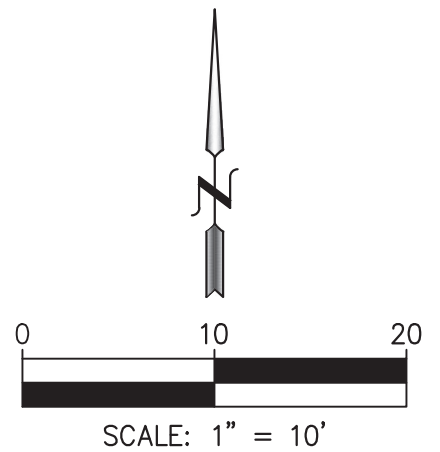
**EXHIBIT "B"**



PARCEL B



PUBLIC STREET EASEMENT, ACQUIRED  
AREA = 250 SQ. FT.



**CELST**  
171 SAXONY RD, STE. 213, ENCINITAS, CA 92024  
TEL: (760) 436-0660 FAX: (760) 436-0659

*Jose D. Dennis*

9-19-23

JOSE D. DENNIS P.L.S.8865 DATE



**PUBLIC STREET EASEMENT**

OVER PORTION OF LOTS 6 & 7 AND LOTS 44 & 45 IN BLOCK 4,  
MORRISON'S MARSCENE PARK, MAP 1844.

| DESCRIPTION | BY  | APPROVED | DATE | FILMED | CITY OF SAN DIEGO, CALIFORNIA |  |
|-------------|-----|----------|------|--------|-------------------------------|--|
| ORIGINAL    | XXX |          |      |        | PRJ 1093361                   |  |
|             |     |          |      |        | SHEET 2 OF 2 SHEETS           |  |
|             |     |          |      |        | I.O. N/A                      |  |
|             |     |          |      |        | 1838-6297                     |  |
|             |     |          |      |        | CCS 83 COORDINATES            |  |
|             |     |          |      |        | 198-1737                      |  |
|             |     |          |      |        | NAD 27 COORDINATES            |  |
| STATUS      |     |          |      |        | 100902-2-B                    |  |
|             |     |          |      |        | B002                          |  |