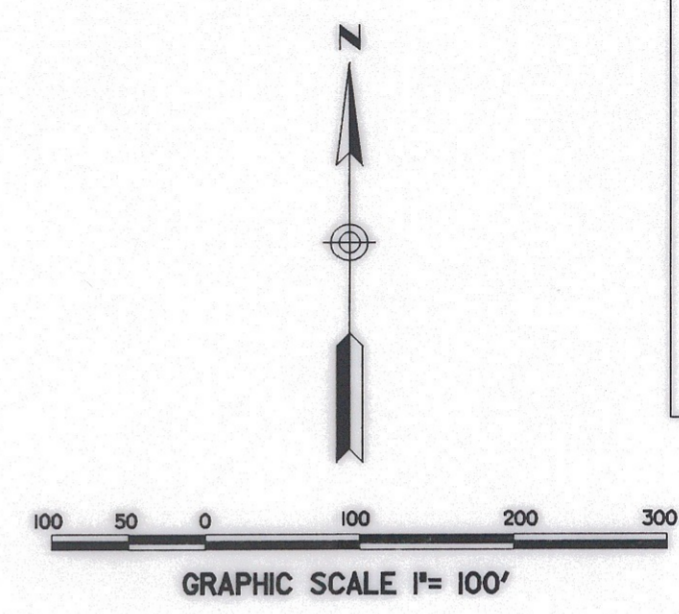
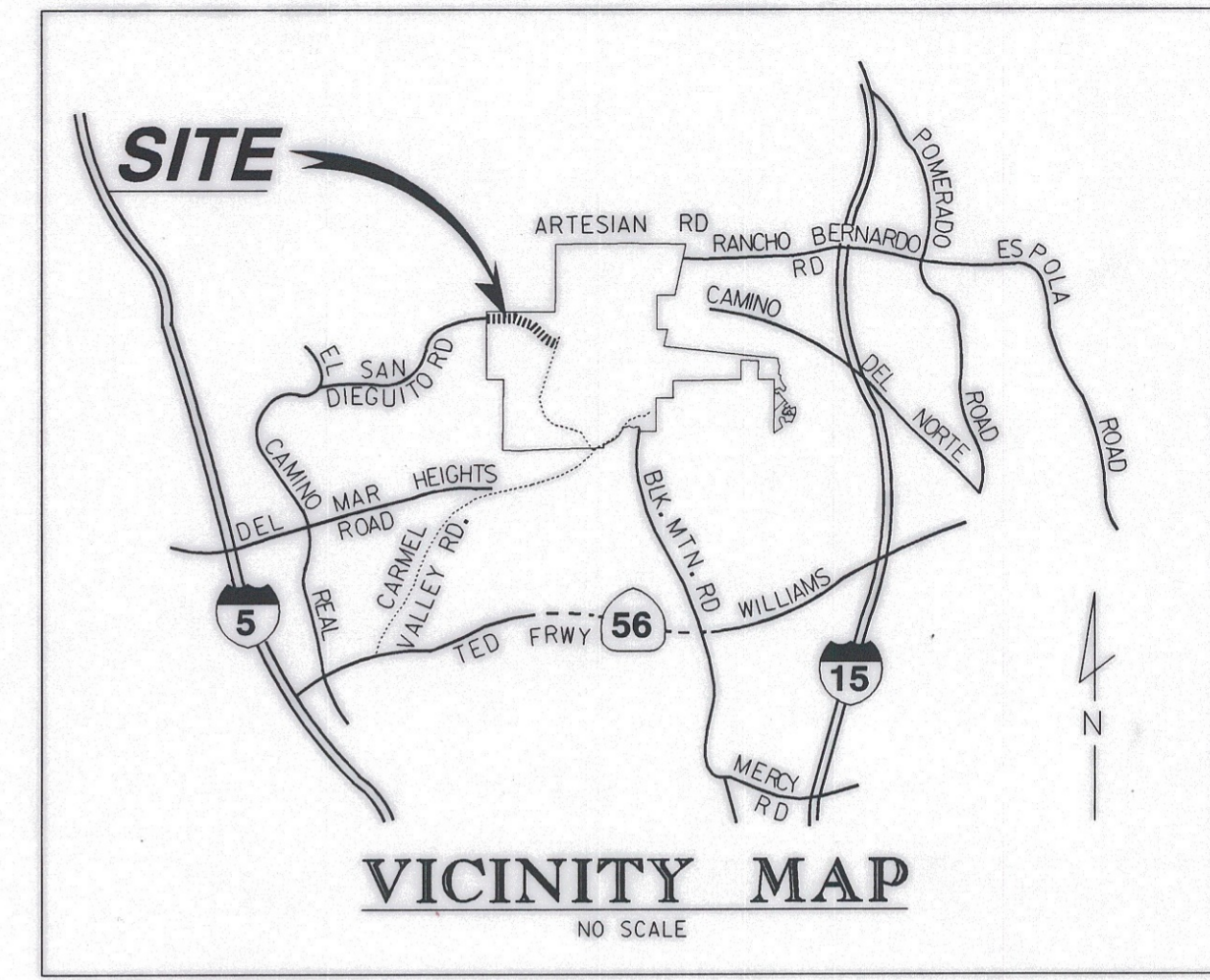
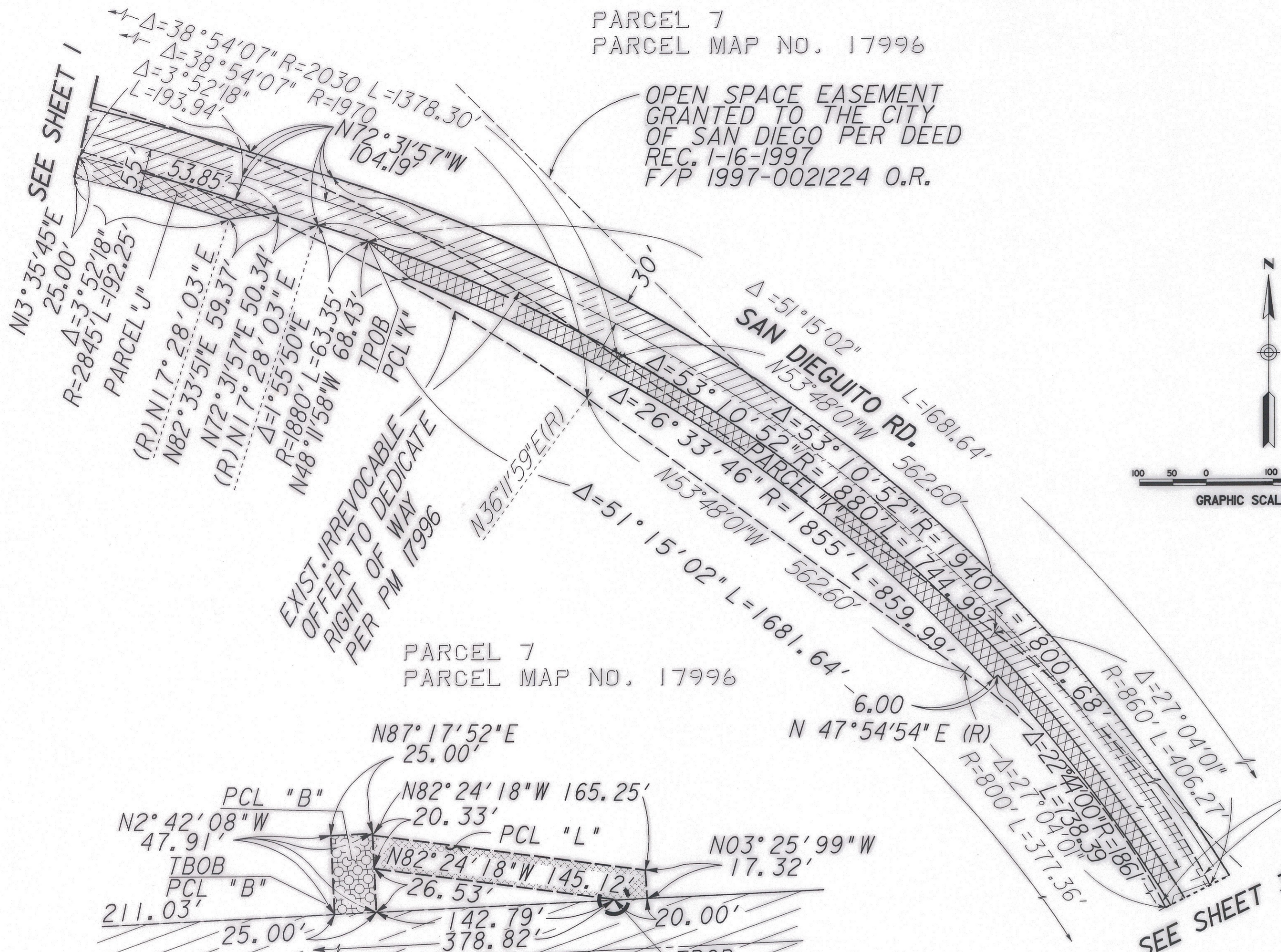
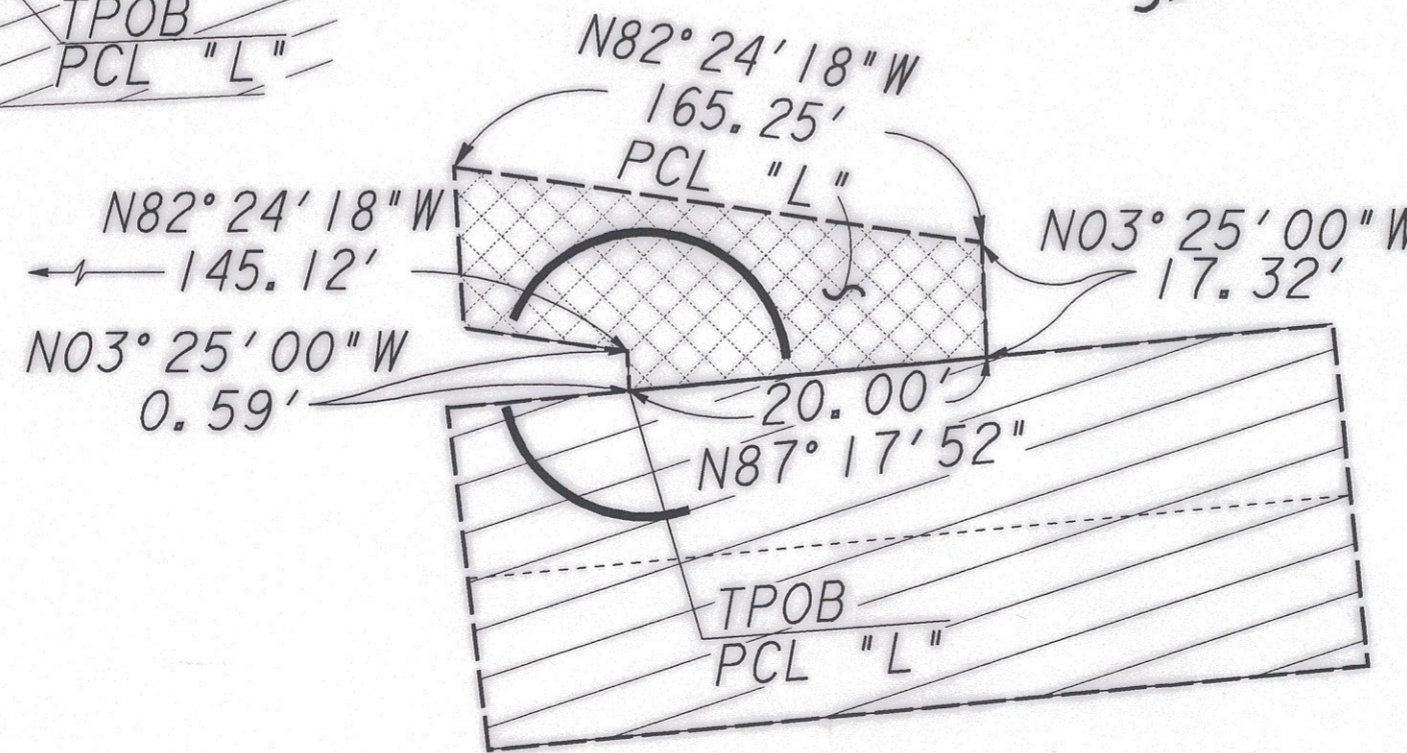
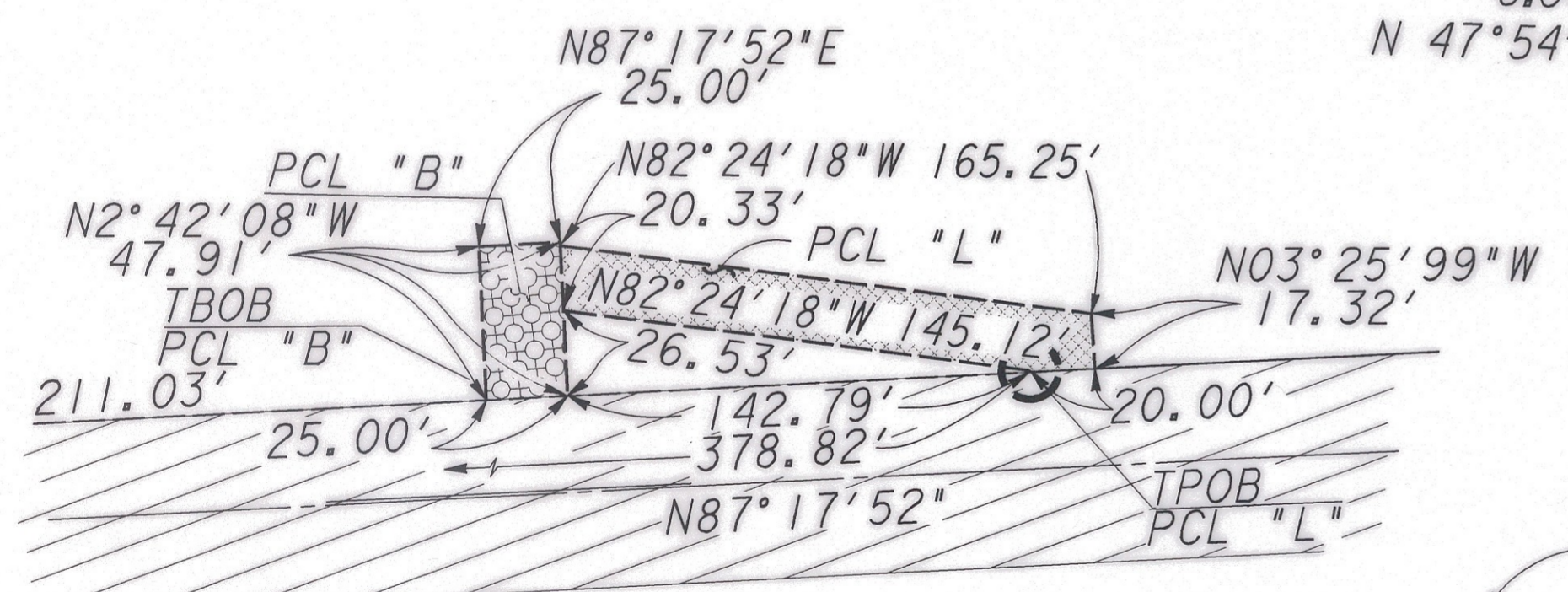


PARCEL 7
PARCEL MAP NO. 17996

OPEN SPACE EASEMENT
GRANTED TO THE CITY
OF SAN DIEGO PER DEED
REC. 1-16-1997
F/P 1997-0021224 O.R.



PARCEL 7
PARCEL MAP NO. 17996



60' WIDE PORTION OF
PARCEL 7 IRREVOCABLE
OFFER TO DEDICATE
PUBLIC STREET

J:\d_bmr\cadd\1bb.dgn
J:\d_per\vol comp_pen
06-JUL-2000 10:57

J-13041C			
STREET DEDICATION-SAN DIEGUITO ROAD AND PEDESTRIAN AND NON-MOTOR VEHICULAR RIGHT OF WAY NORTHWESTERLY OF CAMINO RUIZ DRAINAGE AND ACCESS EASEMENT IN PARCEL 7 P.M. 17996			
CITY OF SAN DIEGO, CALIFORNIA PLANNING AND DEVELOPMENT REVIEW SHEET 2 OF 3 SHEETS			TM 95-0173 W.O. NO. 980039
FOR CITY ENGINEER		DATE 11-1-00	
DESCRIPTION	BY	APPROVED	DATE
ORIGINAL			FEB 10 01
			1932-6279 NAD 83 COORDINATES
			292-17198 LAMBERT COORDINATES
CONPLATE			00025-2-C