

BASIS OF BEARINGS:

THE BASIS OF BEARINGS FOR THIS DRAWING IS A PORTION OF THE SOUTHERLY LINE OF PARCEL 3 OF MAP NO. 20445
I.E. N82°25'00"E

REFERENCE DRAWINGS:

PARCEL MAP NO. 20445
DWG. 34668-6-D, 34668-7-D, 34668-8-D, 34668-9-D

ASSESSOR'S PARCEL NO.

678-042-05, 678-080-06 & 678-080-07

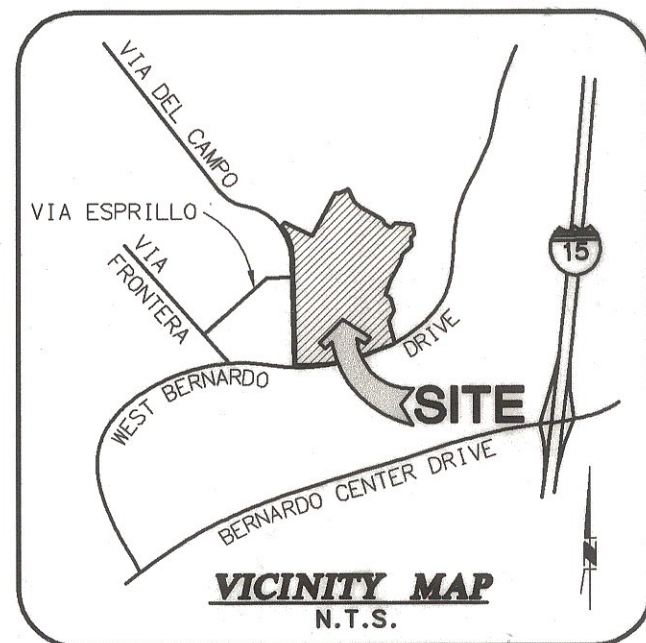
LEGEND:

 INDICATES WATER EASEMENT ACQUIRED 1.218 ACRES

P.O.C. INDICATES POINT OF COMMENCEMENT

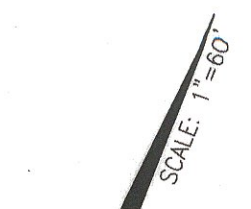
T.P.O.B. INDICATES TRUE POINT OF BEGINNING

(R) INDICATES RADIAL BEARING



DATA TABLE

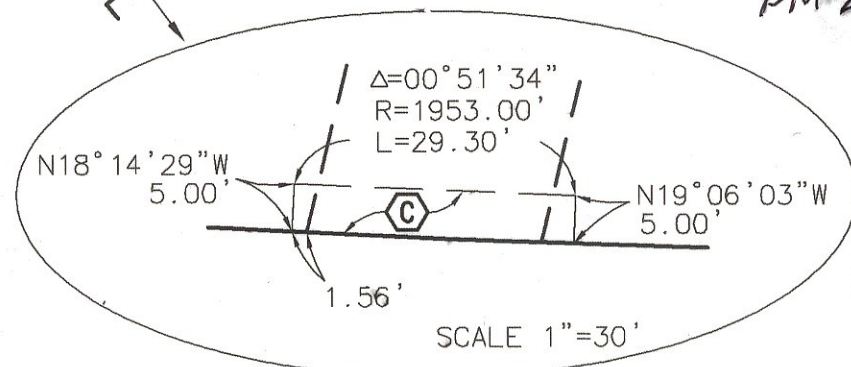
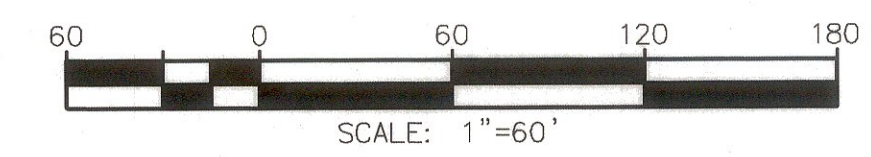
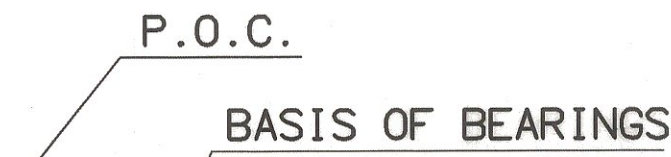
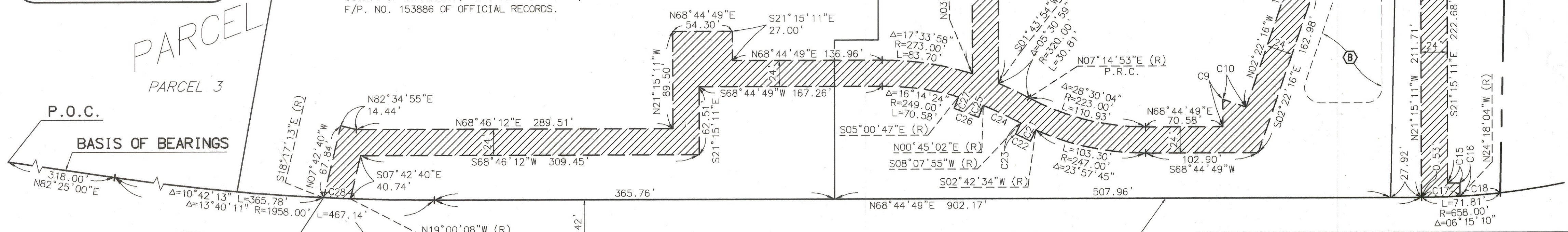
NO.	BRNG/DELTA	RADIUS	LENGTH
C1	S68°09'26"W	--	5.00'
C2	N21°15'11"W	--	24.00'
C3	N68°09'26"E	--	5.00'
C4	N21°15'11"W	--	9.78'
C5	N70°01'32"E	--	24.01'
C6	N68°44'49"E	--	16.88'
C7	S21°15'11"E	--	24.00'
C8	S68°44'49"W	--	25.80'
C9	N21°15'11"W	--	25.21'
C10	N87°37'44"E	--	22.51'
C11	N68°44'49"E	--	44.39'
C12	N21°15'11"W	--	13.40'
C13	N68°44'49"E	--	24.00'
C14	S21°15'11"E	--	13.40'
C15	N68°48'52"E	--	11.53'
C16	S21°11'08"E	--	12.09'
C17	03°02'53"	658.00'	35.00'
C18	03°12'17"	658.00'	36.80'
C19	S68°44'49"W	--	58.26'
C20	S21°15'11"E	--	10.07'
C21	S04°24'02"W	--	11.17'
C22	N85°35'58"W	--	15.00'
C23	N04°24'02"E	--	11.11'
C24	07°22'53"	296.00'	38.13'
C25	S00°44'23"E	--	11.90'
C26	S89°15'37"W	--	24.00'
C27	N00°44'23"W	--	11.27'
C28	00°42'55"	1958.00'	24.44'
C29	S68°44'49"W	--	28.08'
C30	S37°28'19"W	--	11.42'



MAP

PARCEL 2

- (A)** INDICATES AN EASEMENT FOR FLOOD WATER STORAGE TO THE CITY OF SAN DIEGO, RECORDED MAY 28, 2008 AS F/P. NO. 2008-0284740 OF OFFICIAL RECORDS.
- (B)** INDICATES AN EASEMENT FOR FLOOD WATER STORAGE TO THE CITY OF SAN DIEGO, RECORDED MAY 29, 2008 AS F/P. NO. 2008-0288501 OF OFFICIAL RECORDS.
- (C)** INDICATES AN EASEMENT FOR WATER MAIN TO THE COUNTY OF SAN DIEGO, RECORDED OCTOBER 5, 1967 AS F/P. NO. 153886 OF OFFICIAL RECORDS.



DOC# 2009-0442922
PARCEL 1 ON AUGUST 7, 2009
PM 20445

DOC# 2009-0442913
PARCELS 2 & 4 ON AUGUST 7, 2009
PM 20445

WEST BERNARDO DRIVE DEDICATED PER DEED RECORDED MARCH 31, 1967, AS FILE NO. 44463, SER. 8, BOOK 1967, O.R.

25-102452.001
2452EX02.DWG

Stephen R. Hawkhurst
STEPHEN R. HAWKHURST
DATE 6.23.09
LS 7355

PLANNING ■ DESIGN ■ CONSTRUCTION
RBF CONSULTING
9755 CLAREMONT MESA BOULEVARD, SUITE 100
SAN DIEGO, CALIFORNIA 92124-1824
619.415.0000 FAX 619.415.0001 www.RBF.com

WATER EASEMENT IN PARCELS 1, 2 AND 4 OF PARCEL MAP NO. 20445				
CITY OF SAN DIEGO, CALIFORNIA DEVELOPMENT SERVICES DEPARTMENT SHEET 1 OF 1 SHEET			PTS 139734 W.O. 428544	
<i>Gregory P. Hopkins</i> FOR CITY ENGINEER		8-5-09 DATE		
DESCRIPTION	BY	APPROVED	DATE	FILMED
ORIGINAL	RBF	JT	8/5/09	
AS BUILT	COMPLETED			1948-6303 NAD 83 COORDINATES
CONTRACTOR	DATE STARTED			308-1743 LAMBERT COORDINATES
INSPECTOR	DATE COMPLETED			00144 -C

20445
PARCEL 4

NO.
PARCEL 1

PARCEL 3

T.P.O.B.

SEE
DETAIL