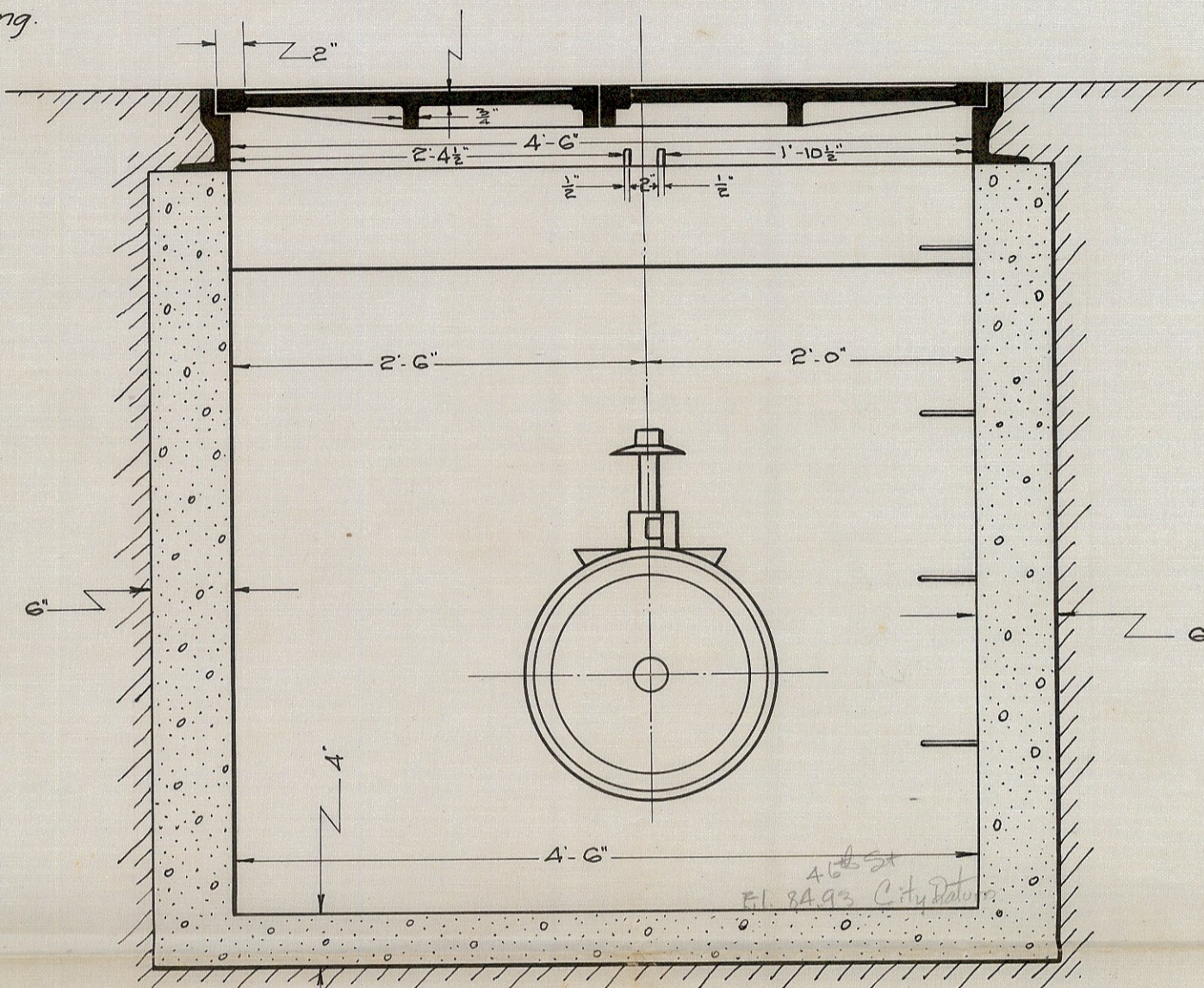


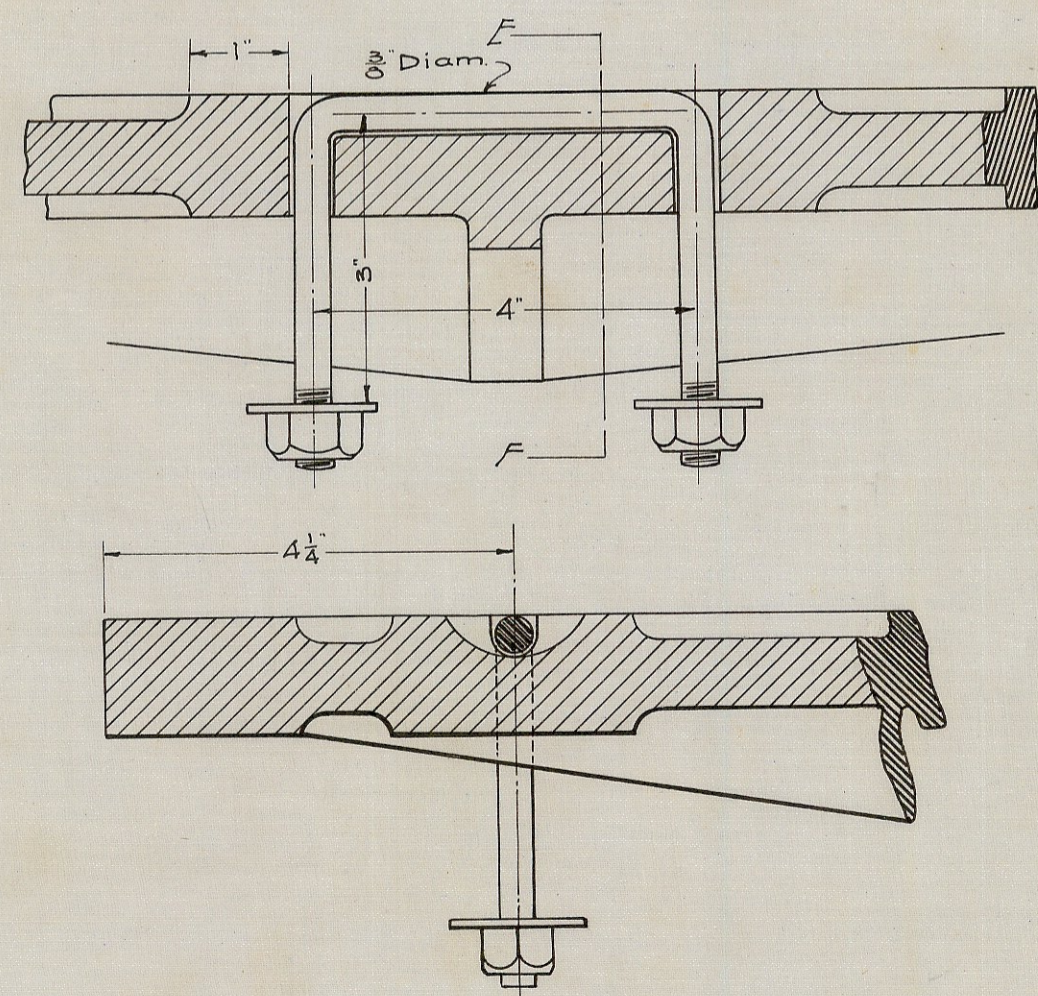
SECTION ON G-H *Locking Needs*



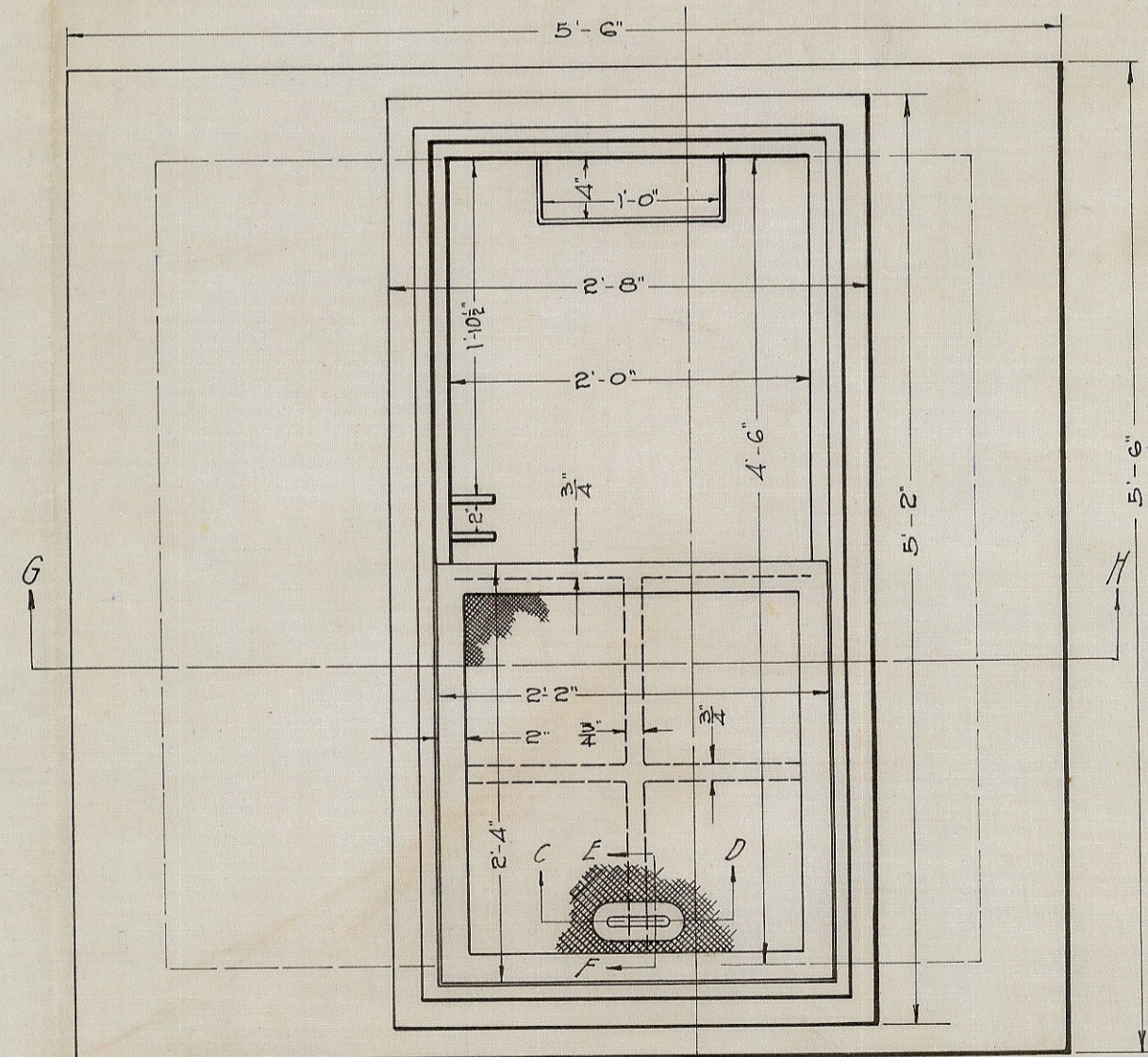
SECTION ON A-B

VALVE No	A
1	2'-8"
2	6'-7"
3	6'-9"
4	4'-3"
5	7'-3"
6	4'-3"
7	6'-6"
8	4'-8"
9	4'-3"
10	5'-0"
11	5'-0"
12	5'-3"
13	3'-6"

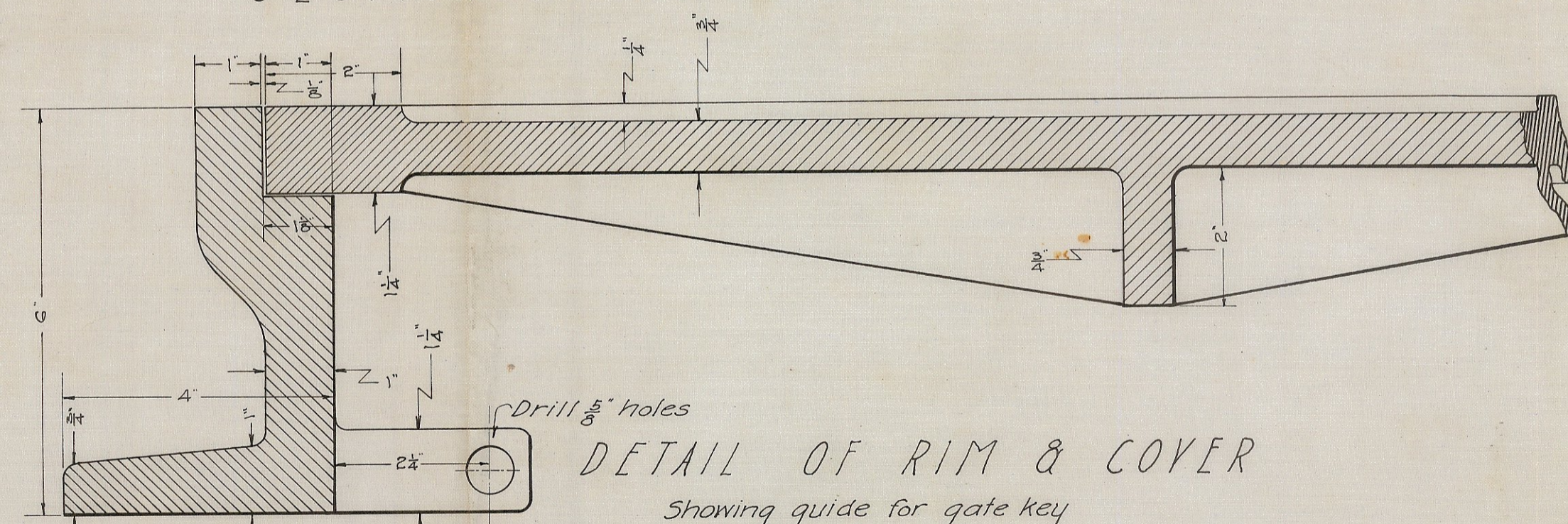
NOTE: All dimensions must be carefully followed so that the gate key guide will come directly over the square nut on the valve



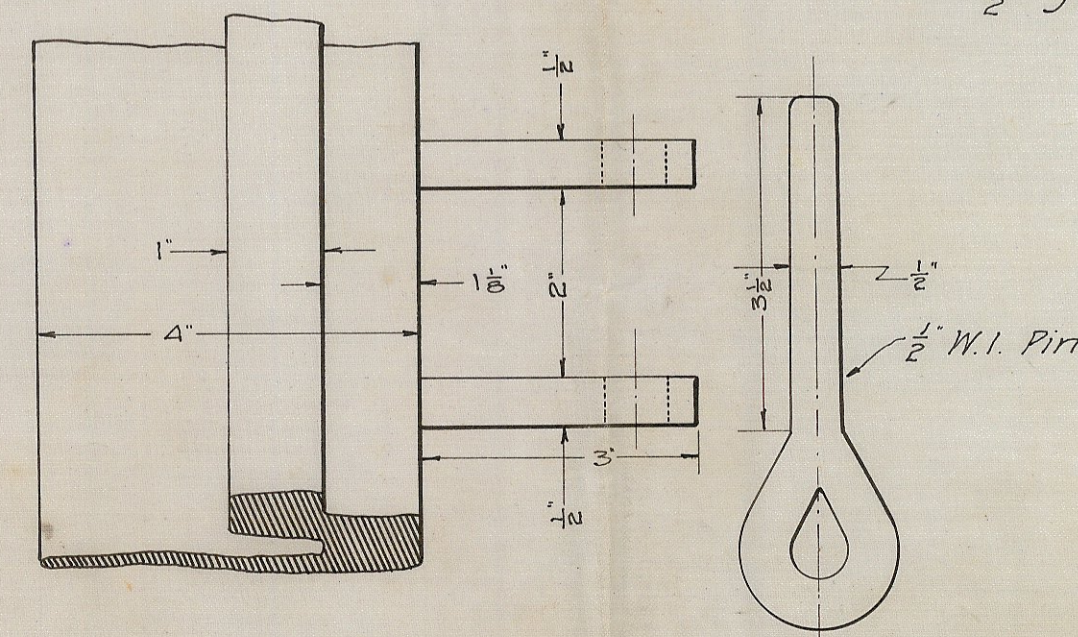
DETAIL OF HANDLE
SCALE: 1/2 SIZE



PLAN OF CHAMBER



DETAIL OF RIM & COVER
Showing guide for gate key
1/2 SIZE



MICROFILMED
JUL 22 1968

CITY OF SAN DIEGO OPERATING DEPARTMENT	
STANDARD VALVE CHAMBER FOR THE BONITA PIPE LINE	
APPROVED <i>George Cromwell</i> CITY ENG.	D.T. July 15 1915
CHECKED BY <i>J.M. Lelwood</i> MGR. OF OPERATION	SCALE 1/2" = 1'-0"
DRAWN BY <i>R.L.</i>	CHANGED DATE O.K.
CHECKED BY <i>R.L.</i>	DRAWING NUMBER 369-L

File No 1311

369-L

MICROFILMED
MAR 16 1964