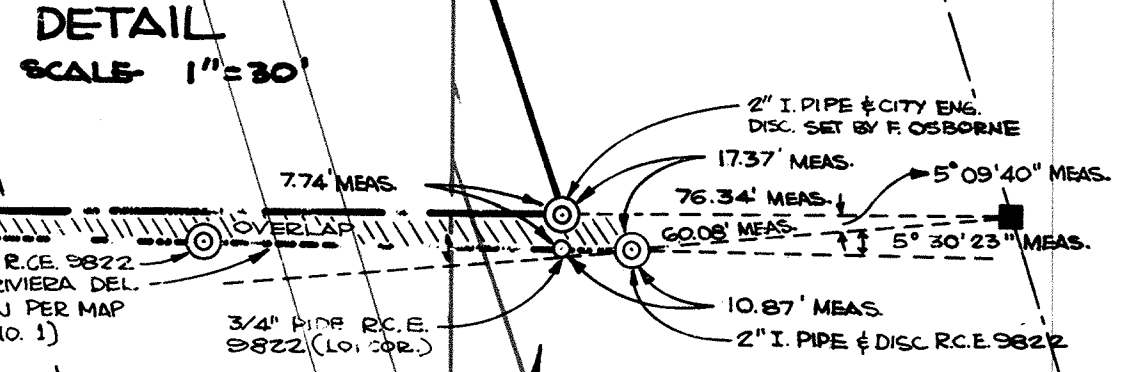


DEL MAR HEIGHTS TIE POINTS



BASE MAP	1691E
DATE DRAWN	10/22/68
REVISION	10/22/68
OCTOBER - 68 VS. ADDED NOTES BY CHIPMAN	

SEC.14 T14S R4W  
SEC.23 T14S R4W

CITY OF SAN DIEGO, CALIFORNIA

SCALE: 1" = 100 FEET  
DATUM = MEANS SEA LEVEL

- = SET P.K. & CITY ENGINEERS DISC
- = HUB
- ⊙ = 2" IRON PIPE
- △ = CITY CONTROL MONUMENT SET
- = R.O.W.
- - - = STREET IMPROVEMENTS

NOTE: MONUMENT IMPROVEMENTS BY F. OSBORNE IN 1920'S. NOGALES DRIVE.

NOTE: MONUMENT WAS SET ON E.L.M. IMPROVEMENTS NOT R.O.W.

NOTE: CURVE DATA FOR IMPROVEMENTS

BLK. 29	13779	13780	13781	13782	13783	13784	13785	13786	13787	13788	13789	13790
BLK. 28	13777	13778	13779	13780	13781	13782	13783	13784	13785	13786	13787	13788