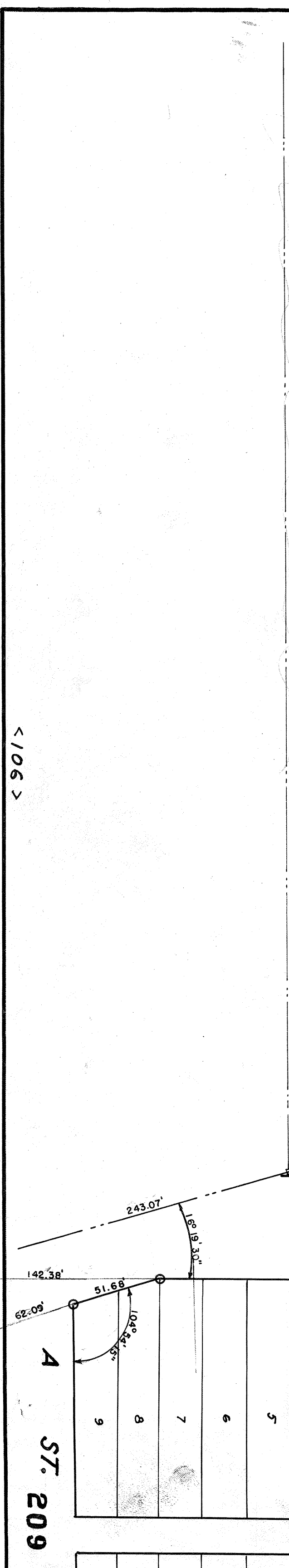
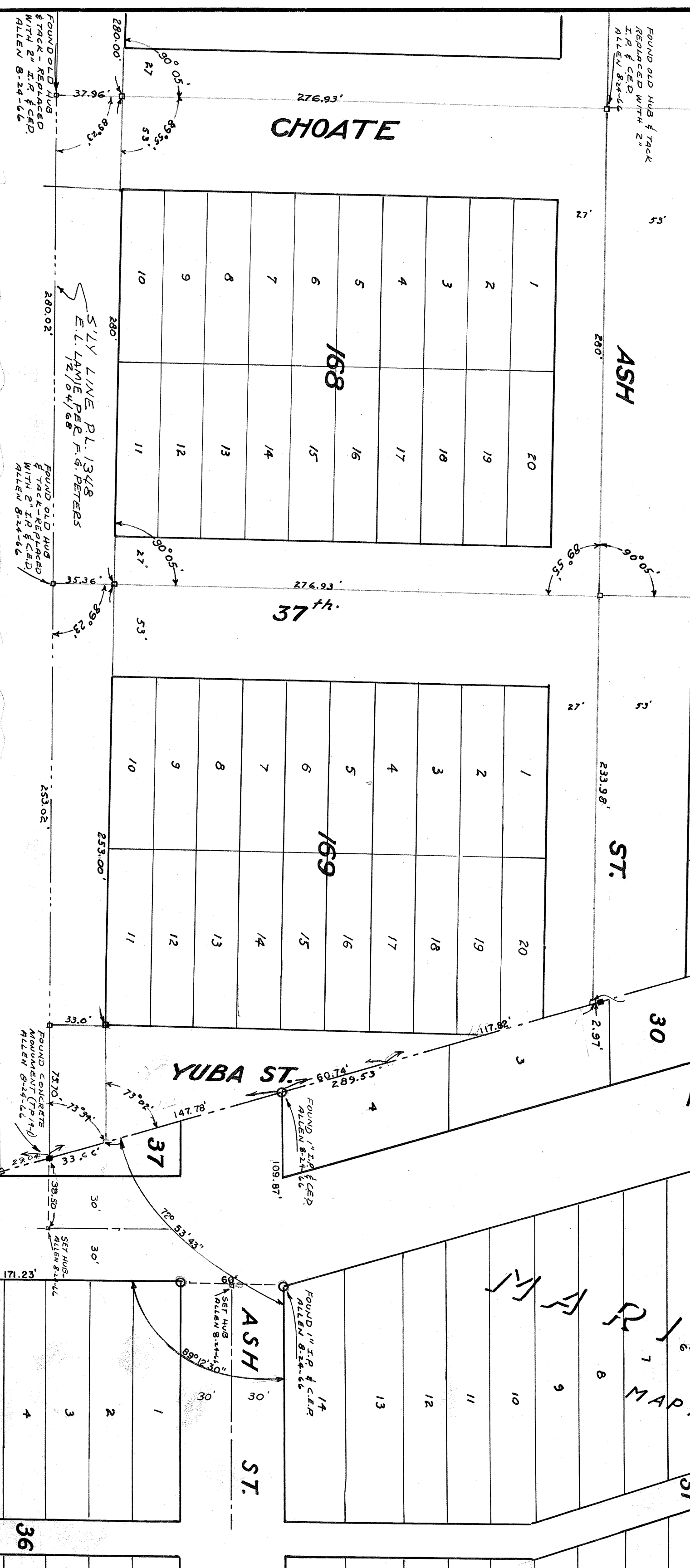
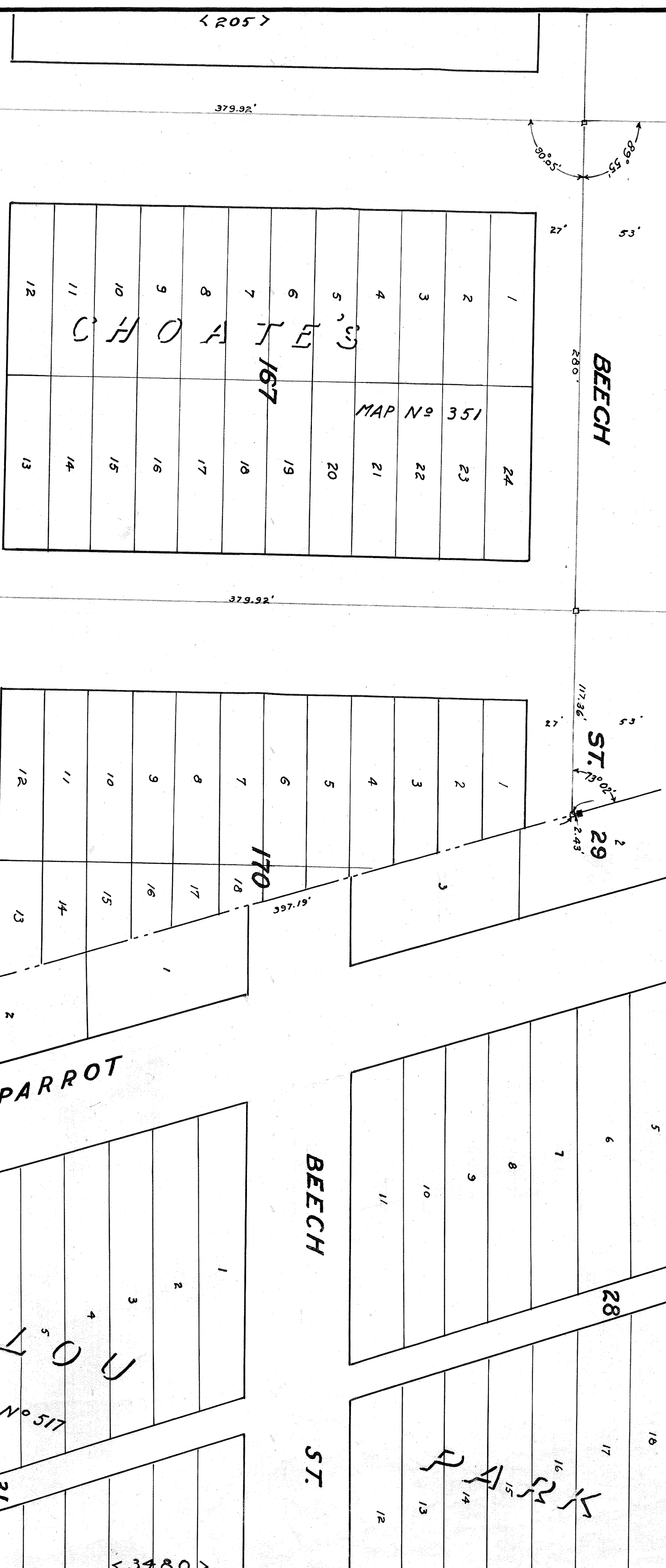
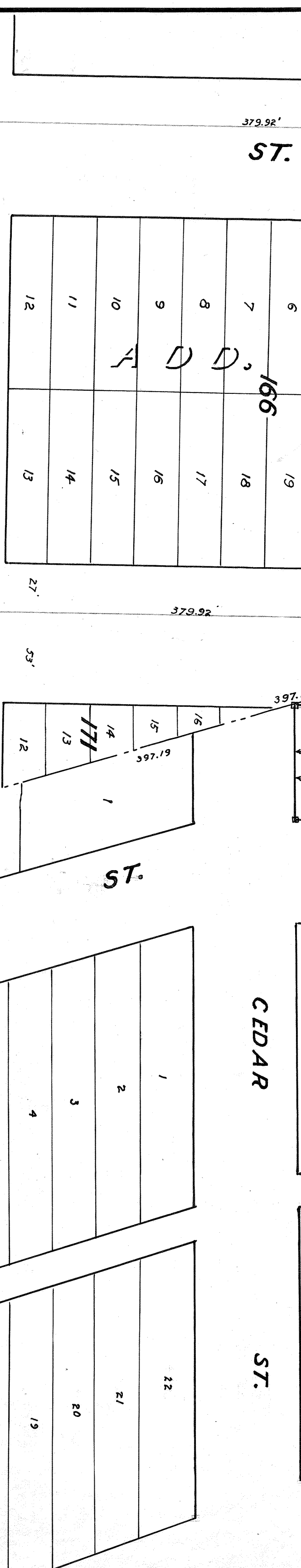
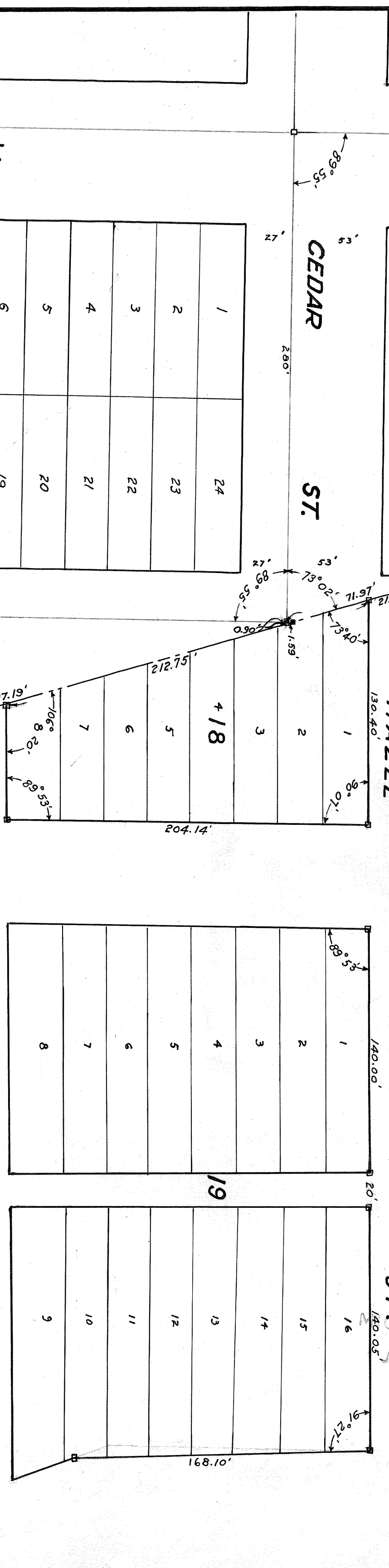


COPILED  
JAN 24 1963



T.P. 19 - P.L. 8.53 - 54-55