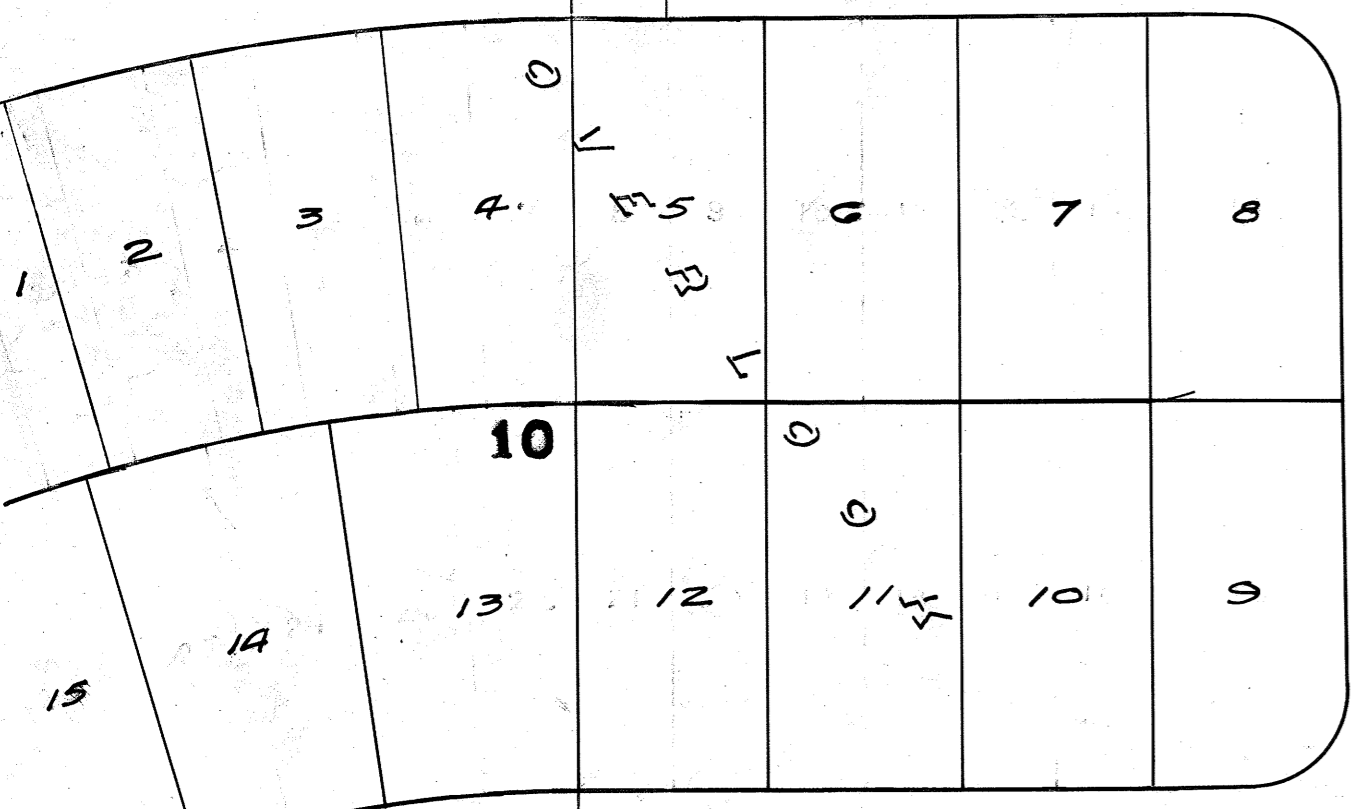
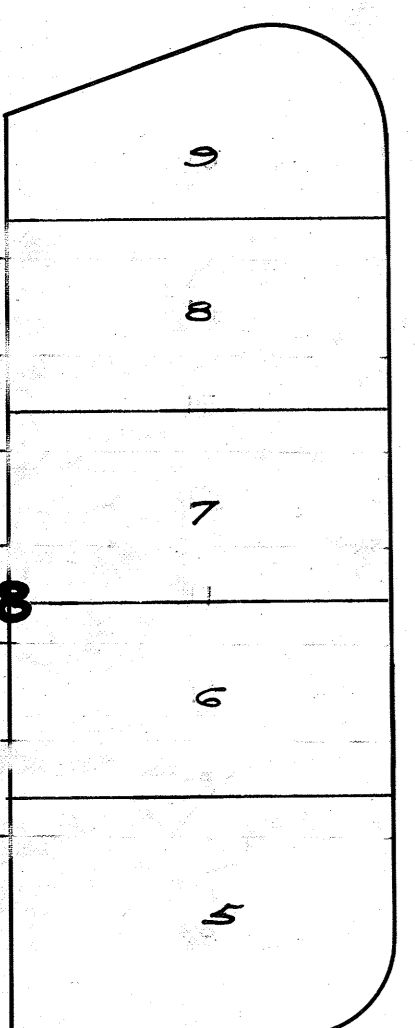


MONITOR ROAD

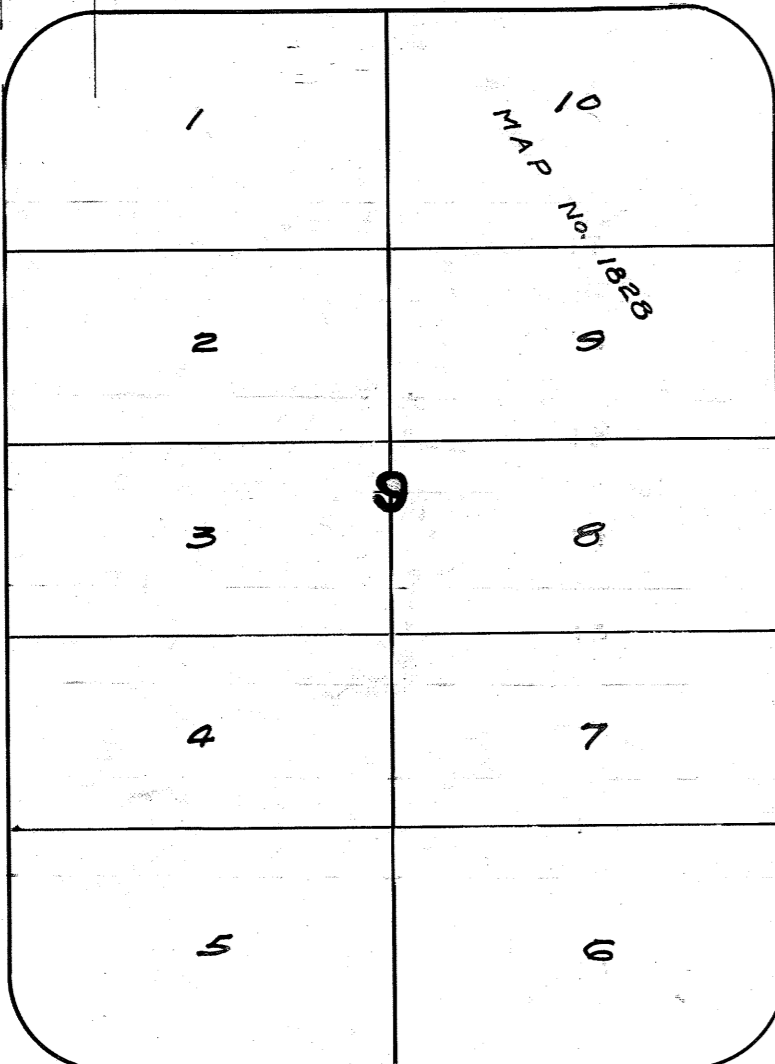


PLAINVIEW ROAD

ELEVATION ROAD



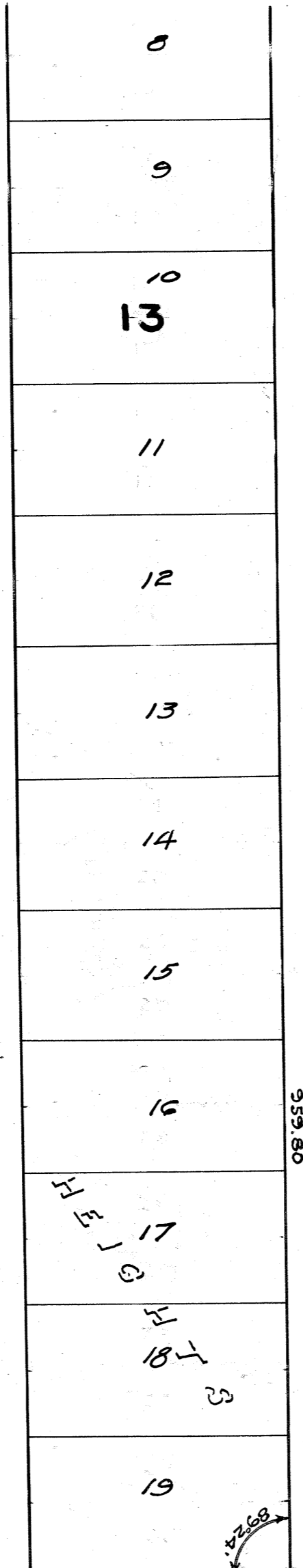
BROWNELL STREET



PL. 268

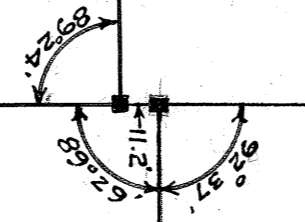
ROAD

PL. 288



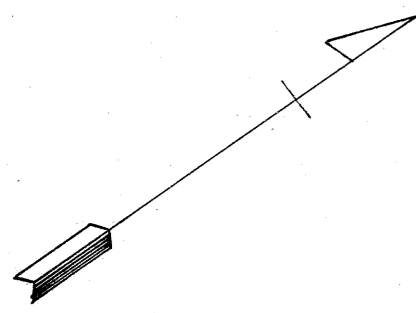
959.80

PL. 267



PL. 289

PORTION OF CUSHMAN AVE. 652.46'



<554>

<540>

553

553

MICROFILMED  
JAN 25 1983

553

553